



# DS-781\782

Price Computing & Check-Out Scale

## Green Scale , Save Environment

Extremely Low Power Consumption  
Reliable & Compact Design  
High Contrast LCD Display (DS-781)  
Intelligent Backlight (DS-782)  
Stainless Steel Flat Platter



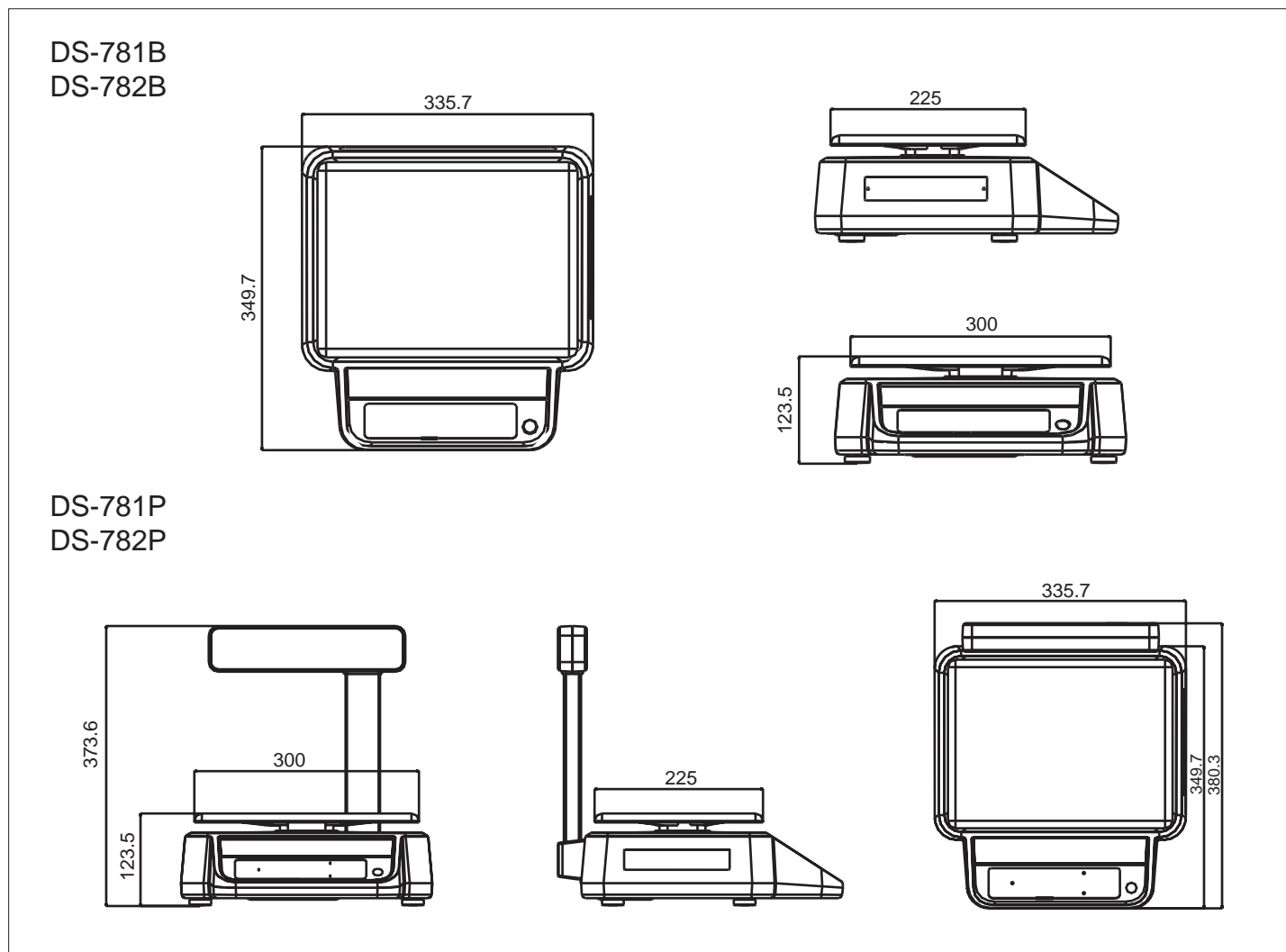
DS-781P



DS-782B

*Searching for  
a New Balance*

## External Dimensions(mm)



## Basic Specifications

Model	DS-781B	DS-781P	DS-782B	DS-782P
Capacity	3kg, 6kg, 15kg, 30kg, 6lb, 15lb, 30lb and 60lb			
Power Source	AC: Adapter(DC 5V ~ 8V, 100mA) DC: 4 x C size dry battery or AC/DC		AC: 240/230/220V, 117/100V (Factory Optional) DC: 6V 5Ah rechargeable battery (Optional)	
High Contrast LCD	YES			
High Contrast LCD (Backlight)	NO		YES	
Resolution	1/3,000			
RS-232C Interface	Optional			
Operating Temperature	-10°C ~ +40°C			
Operating Humidity	15~85%RH			
Power Consumption	AC: 0.12W when using dry battery DC: 0.24W when DC 6V		AC: 18W when using AC power DC: 1.2W when using rechargeable battery	

\*Specifications are subject to change without prior notice.

### SHANGHAI TERAOKA ELECTRONIC CO., LTD.

TINGLIN INDUSTRY DEVELOPMENTAL ZONE,  
JINSHAN COUNTY, SHANGHAI 201505

TEL: +86-21-57234888

FAX: +86-21-57233049

<http://www.digi-scale.com>